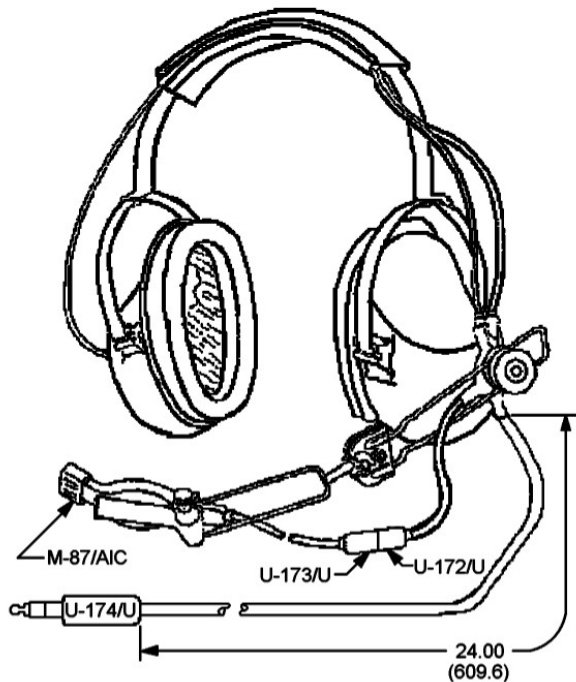


4

3

2

1



MIL-DTL-83511/2A

REQUIREMENTS:

Interface: Figure 1 is for illustration purpose only and all referenced drawings and specifications cover design.

Earphone: Two required, H-143/AIC, in accordance with MIL-PRF-25670 and MIL-PRF-25670/2.

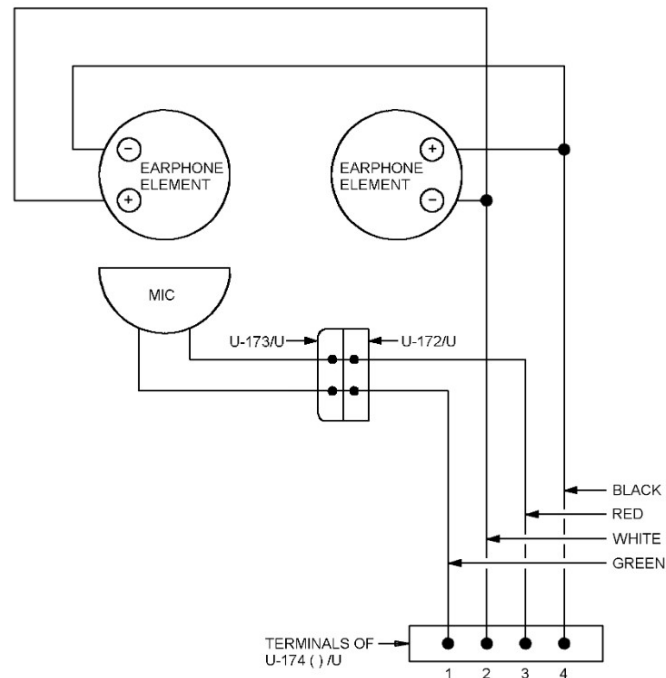
Microphone: One required, dynamic M-87/AIC, in accordance with MIL-PRF-26542, MIL-PRF-26542/2, and USAF Drawing 58C12687.

Microphone boom: One required, USAF Drawing 67B1854 or equal.

Cord: Shall be in accordance with MIL-DTL-83511.

Wiring schematic: See figure 2.

This headset is completely interchangeable and replaces headset-microphone type H-157/AIC



HEADSET SCHEMATIC

PROPRIETARY AND CONFIDENTIAL
 THE INFORMATION CONTAINED IN THIS DRAWING IS THE SOLE PROPERTY OF <INSERT COMPANY NAME HERE>. ANY REPRODUCTION IN PART OR AS A WHOLE WITHOUT THE WRITTEN PERMISSION OF <INSERT COMPANY NAME HERE> IS PROHIBITED.

		UNLESS OTHERWISE SPECIFIED:		NAME	DATE	LIVE WIRE TITLE: HEADSET ELECTRICAL H-157A/AIC SIZE DWG. NO. REV B H-157A-AIC SCALE: 1:1 WEIGHT: SHEET 1 OF 1	
		DIMENSIONS ARE IN INCHES TOLERANCES: ± 0.010 FRACTIONAL \pm ANGULAR: MACH \pm BEND \pm TWO PLACE DECIMAL \pm THREE PLACE DECIMAL \pm		DRAWN	MC		8-25-18
		INTERPRET GEOMETRIC TOLERANCING PER:		CHECKED			
		MATERIAL		ENG APPR.			
		FINISH		MFG APPR.			
NEXT ASSY	USED ON	APPLICATION		COMMENTS:			
		DO NOT SCALE DRAWING					

4

3

2

1